

LIEBHERR LTM 1060-3.1



LIEBHERR LTM 1060-3.1

WWW.TOTALLIFTING.COM



Our brand new Liebherr LTM 1060-3.1 features an impressive 60t lift capacity and a maximum boom length of 48 meters. The 60t mobile crane is available for hire and features a special ballast plate configuration. Which enables it to handle a very wide range of driving conditions. Regardless of the nature of your site, this crane will be able to handle its demands. The latest chassis technology combined with compact dimensions ensures that it is economical and safe to use. This means that you can benefit from the efficiency and the latest technology for a reasonable price and without any safety concerns.

TEL: 0208 226 4000

EMAIL: info@totallifting.com

FRESHWATER ROAD
DAGENHAM
ESSEX RM8 1RX

LIEBHERR LTM 1060-3.1



LIEBHERR LTM 1060-3.1

WWW.TOTALLIFTING.COM

Max. Load Capacity	60 t
At Radius	2.10 m
Telescopic Boom From	10.30 m
Telescopic Boom Up To	48.00 m
Lattice Jib From	2.50 m
Lattice Jib Up To	16.00 m
Drive Engine/Make	Liebherr
Drive Engine	6-Cylinder-Diesel
Drive Engine/Power	270 kW
Number of Axles	3
Drive/Steering Standard	6 x 4 x 6
Drive/Steering Option	6 x 6 x 6
Driving Speed	85.00 km/h
Total Ballast	12.80 t

TEL: 0208 226 4000

EMAIL: info@totallifting.com

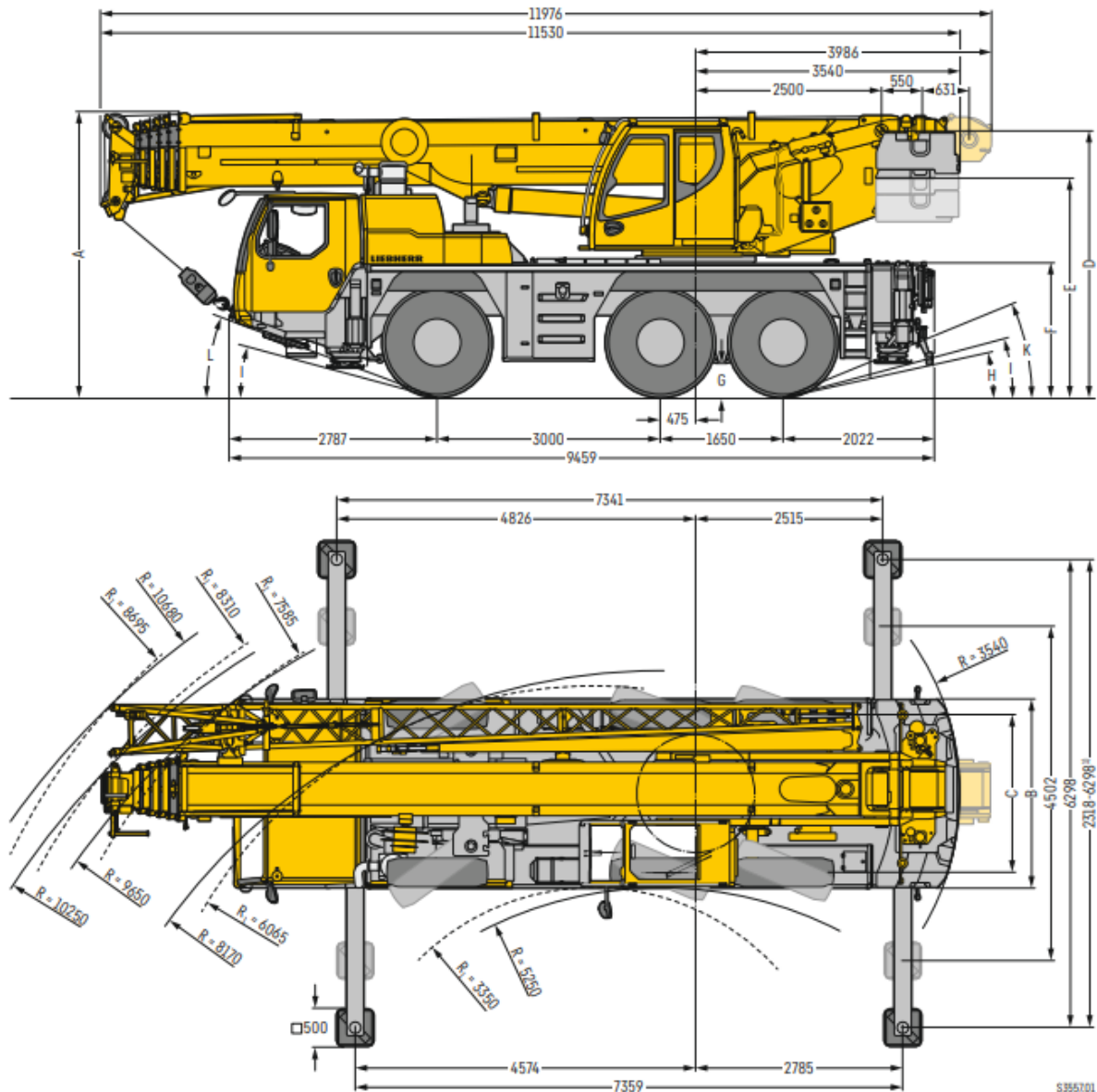
FRESHWATER ROAD
DAGENHAM
ESSEX RM8 1RX

LIEBHERR LTM 1060-3.1

LIEBHERR LTM 1060-3.1

WWW.TOTALLIFTING.COM

Dimensions



Maße • Dimensions • Encombrement • Dimensioni • Dimensiones • Размеры mm

	A	A 100 mm*	B	C	D	E	F	G	H	I	K	L
385/95 R 25 (14.00 R 25)	3750	3650	2550	2160	3498	2863	1710	375	10°	13°	21°	20°
445/95 R 25 (16.00 R 25)	3800	3700	2550	2100	3548	2913	1760	425	12°	15°	23°	21°
525/80 R 25 (20.5 R 25)	3800	3700	2690	2170	3548	2913	1760	425	12°	15°	23°	21°

* abgesenkt • lowered • abaissé • abbassato • suspensión abajo • шасси осажено

TEL: 0208 226 4000

EMAIL: info@totallifting.com

FRESHWATER ROAD
DAGENHAM
ESSEX RM8 1RX

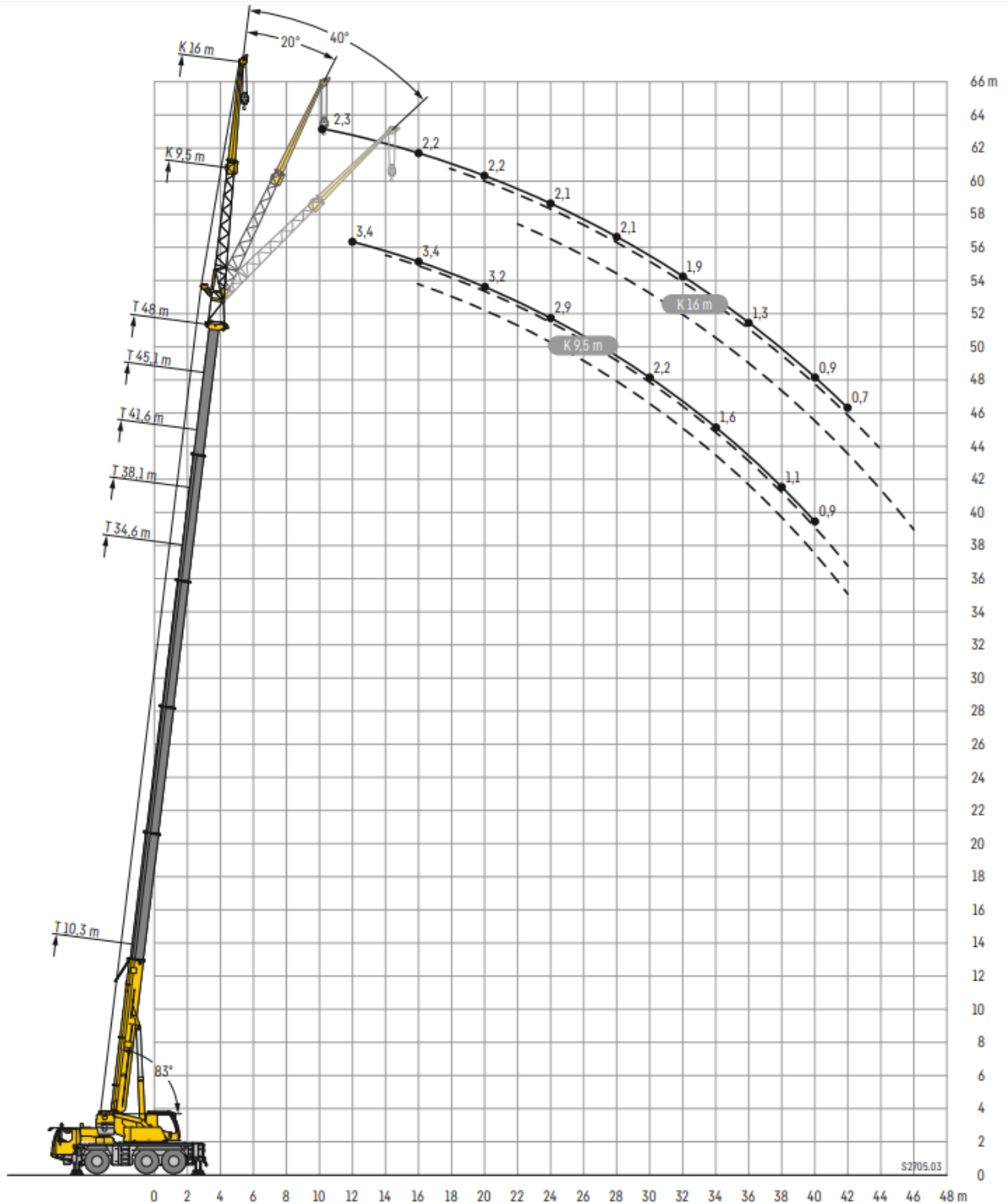
LIEBHERR LTM 1060-3.1



LIEBHERR LTM 1060-3.1

WWW.TOTALLIFTING.COM

Lifting Heights



TEL: 0208 226 4000

EMAIL: info@totallifting.com

FRESHWATER ROAD
DAGENHAM
ESSEX RM8 1RX

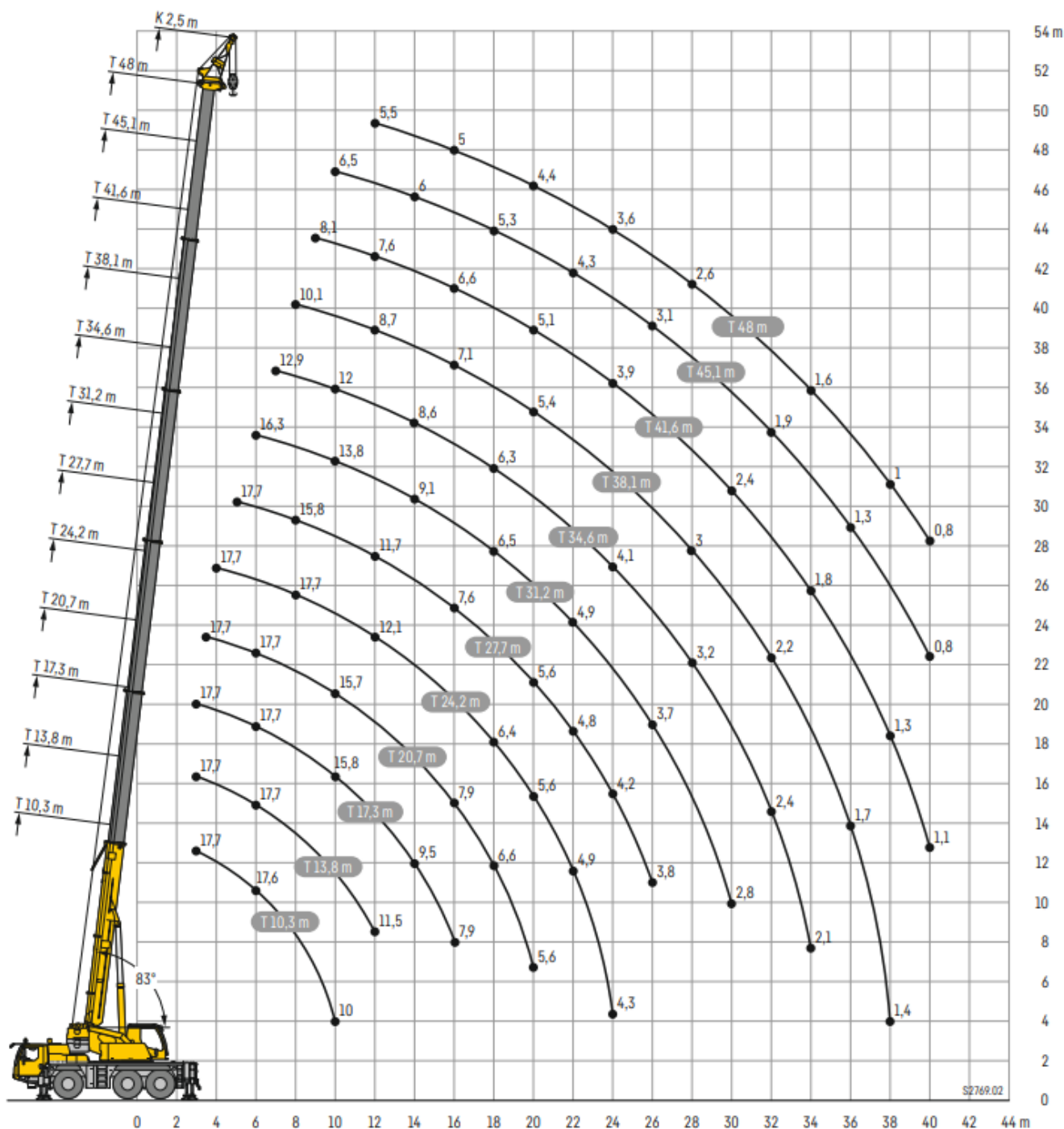
LIEBHERR LTM 1060-3.1



LIEBHERR LTM 1060-3.1

WWW.TOTALLIFTING.COM

Lifting Heights



TEL: 0208 226 4000

EMAIL: info@totallifting.com

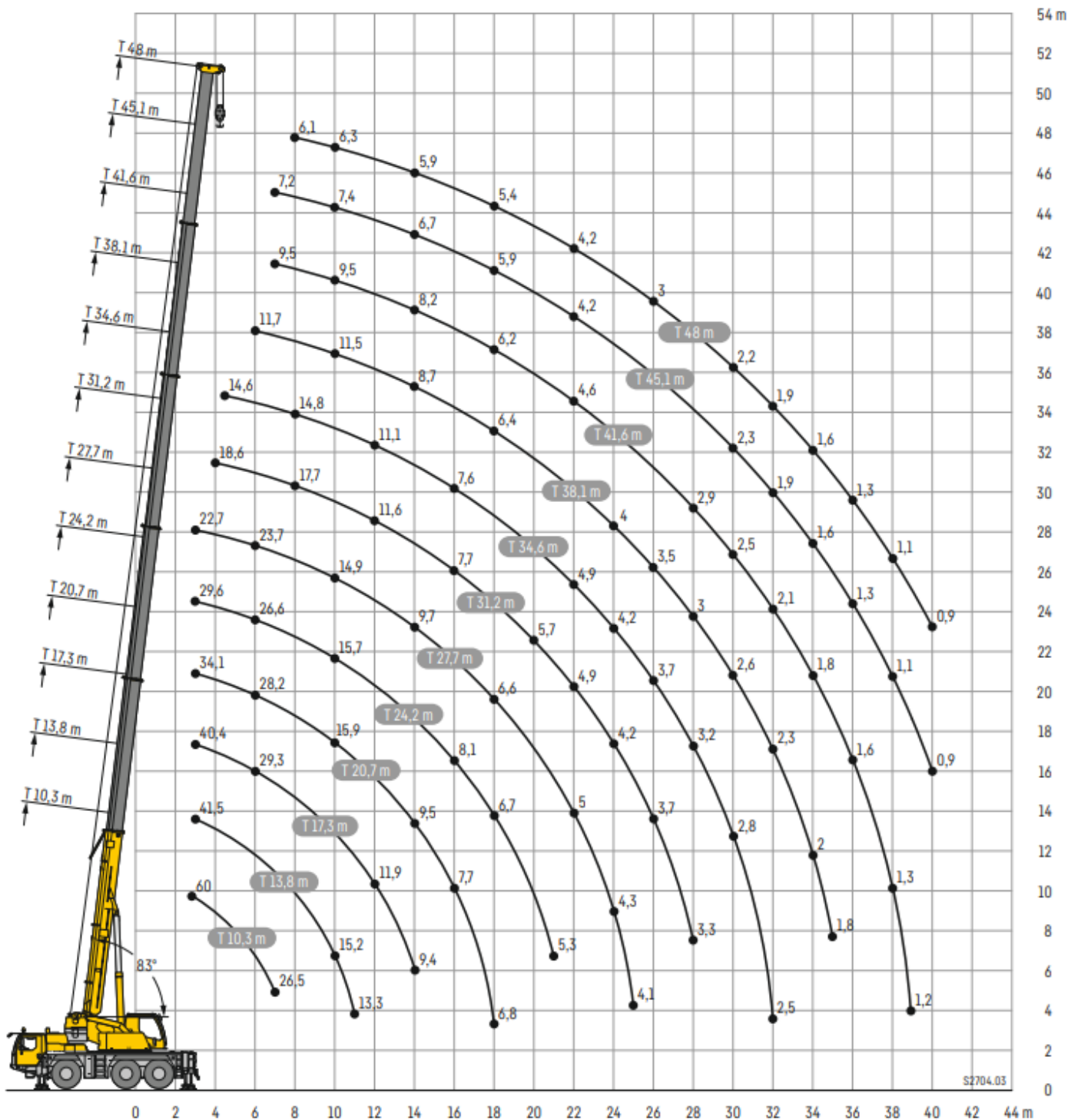
FRESHWATER ROAD
DAGENHAM
ESSEX RM8 1RX

LIEBHERR LTM 1060-3.1

LIEBHERR LTM 1060-3.1

WWW.TOTALLIFTING.COM

Lifting Heights



TEL: 0208 226 4000

EMAIL: info@totallifting.com

FRESHWATER ROAD
DAGENHAM
ESSEX RM8 1RX